

FITTING INSTRUCTIONS

WHAT YOU WILL NEED...



PHILIPS HEAD SCREW DRIVER OR DRILL



60MM SCREWS
Included



35MM SCREWS
Included



SCREW CUPS
Included



BISCUIT JOINTS
Included



M6 BOLTS
Included



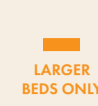
BARREL NUTS
Included



X4 M8 BOLTS
Included



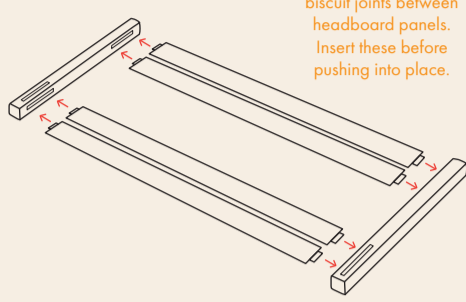
X1 M4 BOLT & NUT
Included



LARGER BEDS ONLY

HEADBOARD

1

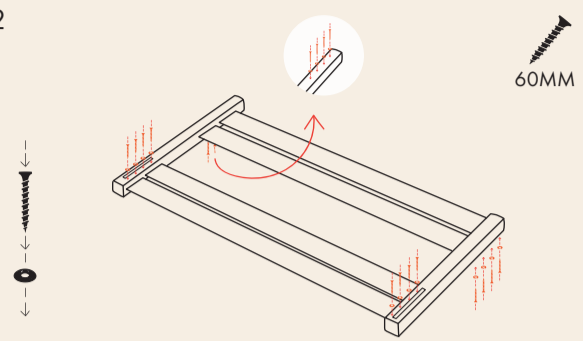


Larger beds have biscuit joints between headboard panels. Insert these before pushing into place.



Lay down the headboard panels on the floor with the tenons as shown above, and push the rails into the legs.
If your bed doesn't have a headboard, repeat steps 3 & 4 instead of 1 & 2.

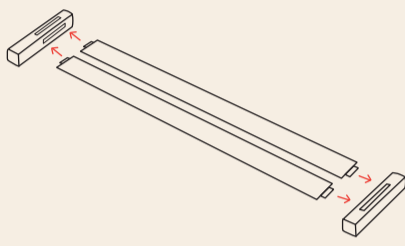
2



Ensure rails and legs are tightly pushed together and insert the screw cups and 60mm screws into each hole.

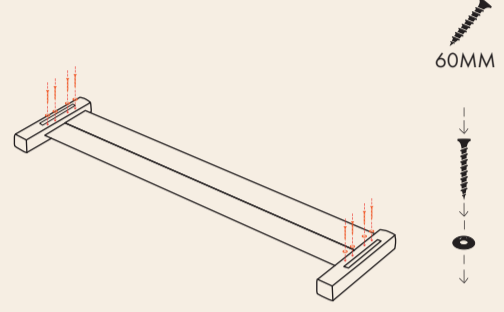
FOOTBOARD

3



Lay down the footboard pieces on the floor with the tenons as shown above, and push the rails into the legs.

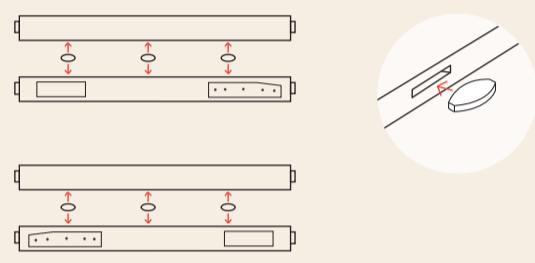
4



Ensure the rails and legs are tightly pushed together and insert the screw cups and 60mm screws into each hole.

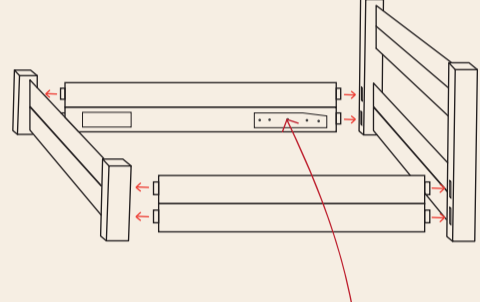
SIDE PANELS

5



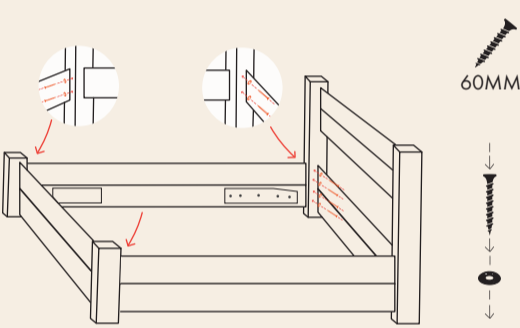
Insert the biscuit joints into the side panels before securing together as shown.

6



Push the side panels into the legs of the headboard and footboard, ensuring the additional supporting bars for the ottoman are on the bottom rail.

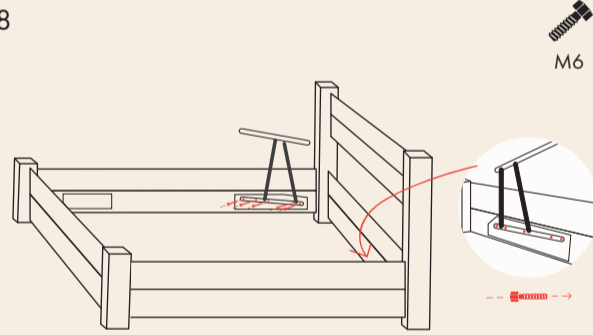
7



Ensure rails and legs are tightly pushed together and insert the screw cups and 60mm screws into each hole.

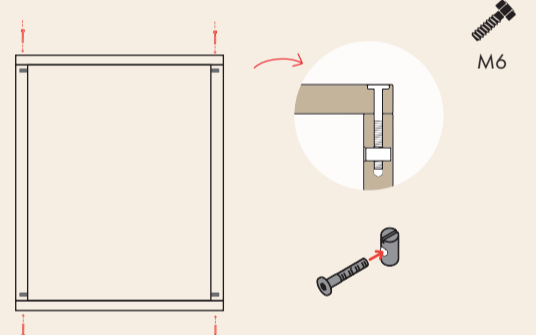
THE OTTOMAN

8



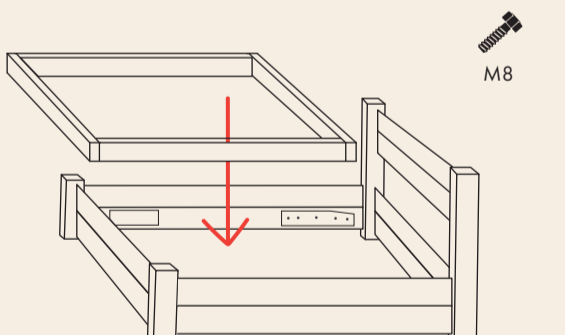
Bolt on the ottoman lifting mechanism to the main bed frame on each side using the m6 bolts.

9



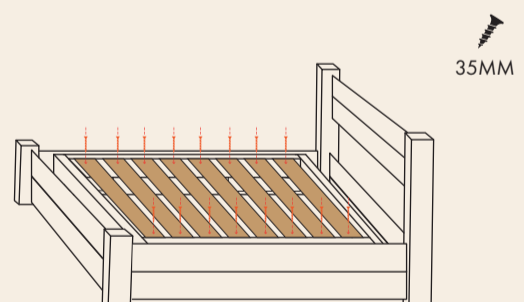
Bolt together the internal base of the ottoman using the barrel nuts and bolts provided.

10



Place the internal frame inside the outer frame and bolt to the lifting mechanism with the M6 bolts. Please note: Do not bolt on the gas strut at this stage.

11



Space out the slats and screw in place using 35mm wood screws.

12



Lift up the slat base and bolt on the gas struts with the M8 bolts to each side.

13



Bolt on the leather handle provided using M4 nut and bolt. ADD YOUR MATTRESS AND ENJOY!

WARNING



- Never allow the ottoman bed to fall without support
- Never operate the ottoman bed without the mattress in position
- Only use the storage area when the frame is fully raised
- Do not over tighten bolts and screws
- Beware of entrapment – Never reach in through the mechanism to access the storage area.
- Clear objects away from ottoman mechanism.
- To be operated by adults only.

To be used as a guide only. Some models may look different.
If you need any help assembling your bed, please don't hesitate to get in touch with us and we will be happy to help.